

RFID Transponder Coils GS4308I

Features (特長)

- Low profile with an extended length.
(超薄及加長型)
- High Q value. (高品質因素)

Applications (用途)

- Car remote control key.
(汽車遙控式鑰匙)



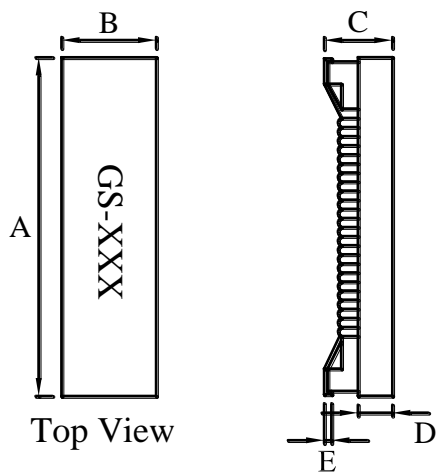
Product Identification (產品識別)

GS4308I - _____ (Ex. GS4308I-401J)

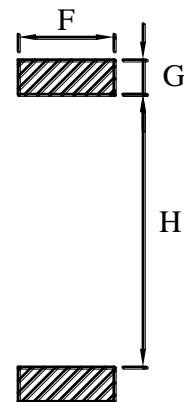
1 2 3

1. RFID Transponder Coils (無線辨別感應器線圈) (GS4308I)
2. Inductance (電感值)
3. Tolerance (誤差值) (參照表 J 5%, K 10%, M 20%)

Configurations & Dimensions (結構圖及規格尺寸)



Land Pattern



Unit In mm

Type (型式)	A (max)	B (max)	C (max)	D (Ref.)	E (Ref.)	F	G	H
GS4308I	11.43	3.15	2.74	1.01	0.51	2.79	1.78	8.46

✦ Design as Customer's Requested Specifications. (可依客戶特殊需求設計)

RFID Transponder Coils

GS4308I

Electrical Characteristics for GS4308I Series [GS4308I 系列電子特性規格]

Part Number 產品料號	Inductance (mH) 電感值(L)	Q (min) 品質因數	Test Freq. (KHz) 測試頻率	SRF (KHz) (min) 共振頻率	DCR (Ω) (max) 直流阻抗
GS4308I – 401J	0.40	15	125	4500	7.4
GS4308I – 901J	0.90	15	125	4000	22
GS4308I – 112J	1.08	15	125	4000	25
GS4308I – 202J	1.97	17	125	2400	34
GS4308I – 242J	2.38	17	125	2200	39
GS4308I – 332J	3.30	17	125	1800	51
GS4308I – 412J	4.15	17	125	1700	74
GS4308I – 492J	4.90	17	125	1300	96
GS4308I – 682J	6.80	17	125	1000	112
GS4308I – 712J	7.10	17	125	1000	115
GS4308I – 812J	8.10	17	125	960	123

※Test Freq. : 125KHz / 0.25V.

※Operating Temp. : $-40^{\circ}\text{C} \sim +125^{\circ}\text{C}$

※Storage Temperature&Humidity : $\leq 40^{\circ}\text{C}$ & 70% RH maximum