

# RFID ANTENNA

## GSAT3D11 / GSAT3D11C / GSAT3D15

### GSAT3D15C

Main applications: (主要用途)

- Keyless Go systems (Keyless entry / Go, Passive Entry / Go) for Automotive (汽車用無鍵輸入系統)
- Tire Pressure Monitoring System (TPMS) (汽車輪胎氣壓監視系統)
- Access control (存取控制系統)
- Tracking devices (讀取追蹤器)

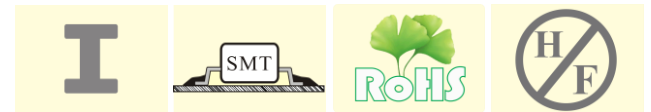


Product Identification (產品識別)

GSAT3D15 - \_\_\_\_\_ (Ex. GSAT3D15-252J)

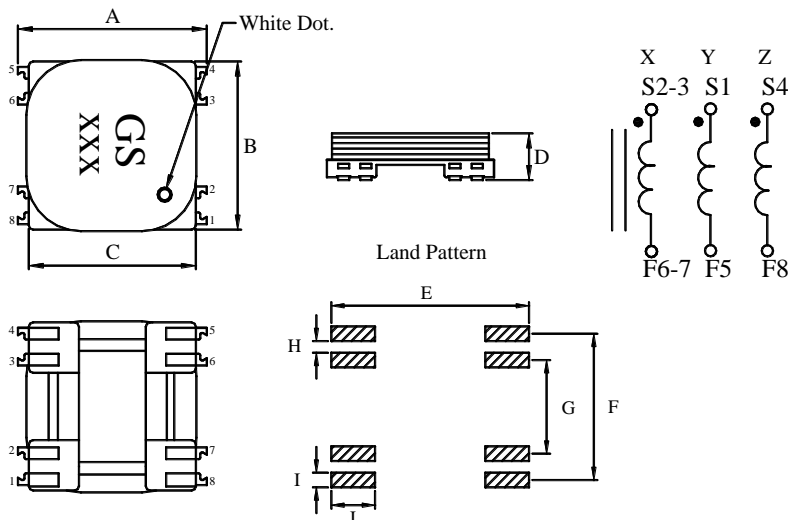
1                      2                      3

1. RFID Transponder Coils (無線辨別感應器線圈) (GSAT3D11, GSAT3D11C, GSAT3D15, GSAT3D15C)
2. Inductance (電感值)
3. Tolerance (誤差值) ( 參照表 J 5% )



Configurations & Dimensions (結構圖及規格尺寸)

GSAT3D11



Unit In mm

Type (型式)	A (max)	B (max)	C (max)	D (max)	E	F	G	H	I	J
GSAT3D11	13.5	12.5	12.5	3.5	13.0	9.95	6.4	0.9	0.8	3.0

♣ Design as Customer's Requested Specifications. (可依客戶特殊需求設計)

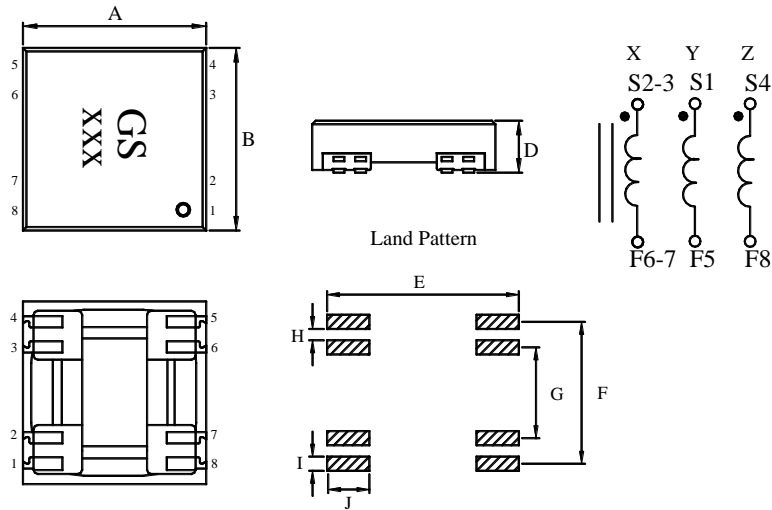
# RFID ANTENNA

## GSAT3D11 / GSAT3D11C / GSAT3D15

### GSAT3D15C

Configurations & Dimensions (結構圖及規格尺寸)

#### GSAT3D11C

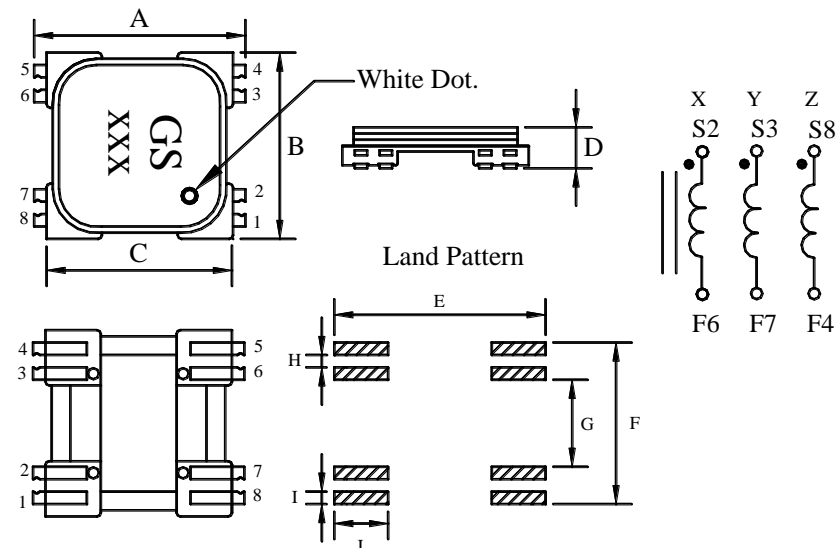


Unit In mm

Type (型式)	A (max)	B (max)	C (max)	D (max)	E	F	G	H	I	J
GSAT3D11C	14.5	13.5	-	4.0	13.0	9.95	6.4	0.9	0.8	3.0

♣Design as Customer's Requested Specifications. (可依客戶特殊需求設計)

#### GSAT3D15



Unit In mm

Type (型式)	A (max)	B (max)	C (max)	D (max)	E	F	G	H	I	J
GSAT3D15	17.5	15.5	15.5	3.8	14.7	13.2	6.6	0.7	1.3	4.1

♣Design as Customer's Requested Specifications. (可依客戶特殊需求設計)

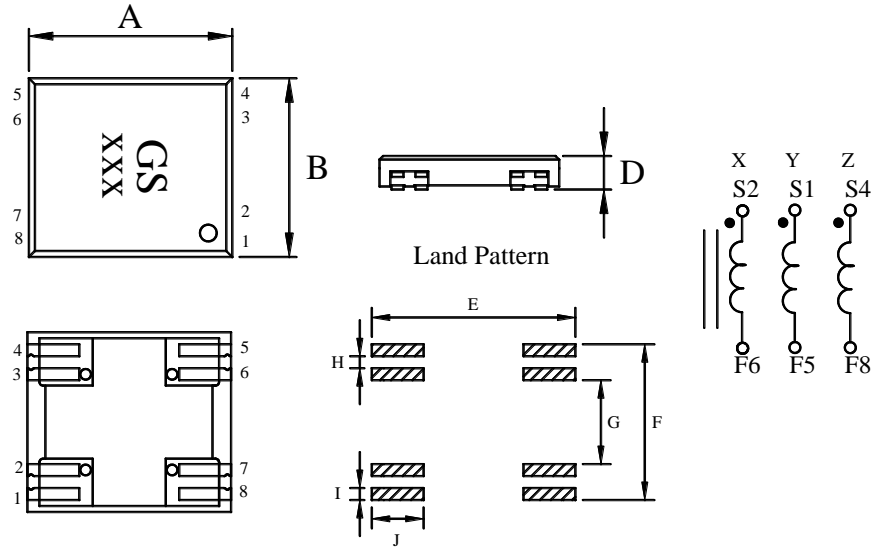
# RFID ANTENNA

## GSAT3D11 / GSAT3D11C / GSAT3D15

### GSAT3D15C

Configurations & Dimensions (結構圖及規格尺寸)

GSAT3D15C



Unit In mm

Type (型式)	A (max)	B (max)	C (max)	D (max)	E	F	G	H	I	J
GSAT3D15C	17.5	16.5	-	4.3	14.7	13.2	6.6	0.7	1.3	4.1

♣Design as Customer's Requested Specifications. (可依客戶特殊需求設計)

# RFID ANTENNA

## GSAT3D11

Electrical Characteristics for GSAT3D11 Series [GSAT3D11 系列電子特性規格]

Part Number 產品料號	Inductance X,Y 軸(mH) 電感值 (L)	Inductance Z 軸(mH) 電感值 (L)	Q X,Y 軸(Typ.) 品質因數	Q Z 軸(Typ.) 品質因數	DCR (Ω) X,Y 軸(max) 直流阻抗	DCR (Ω) Z 軸(max) 直流阻抗
GSAT3D11 – 332J	3.3	6.2	25.0	22.0	81	233
GSAT3D11 – 472J	4.7	4.7	13.5	16.5	250	362
GSAT3D11 – 722J	7.2	7.2	14.0	16.5	300	387
GSAT3D11 – 732J	7.3	7.3	14.0	17.5	309	356

## GSAT3D11C

Electrical Characteristics for GSAT3D11C Series [GSAT3D11C 系列電子特性規格]

Part Number 產品料號	Inductance X,Y 軸(mH) 電感值 (L)	Inductance Z 軸(mH) 電感值 (L)	Q X,Y 軸(Typ.) 品質因數	Q Z 軸(Typ.) 品質因數	DCR (Ω) X,Y 軸(max) 直流阻抗	DCR (Ω) Z 軸(max) 直流阻抗
GSAT3D11C – 492J	4.9	4.9	12	12	299	299
GSAT3D11C – 242J	2.4	3.4	23	18	69.5	160
GSAT3D11C – 332J	3.3	6.2	25	22	86	218
GSAT3D11C – 482J	4.8	7.4	13	17.5	287	355
GSAT3D11C – 722J	7.2	7.2	14	16.5	300	387
GSAT3D11C – 602J	4.7	6.0	13	15	284.4	318

※Test Freq. : 125KHz / 1V.

※Operating Temp. : -40°C ~ +125°C

※Storage Temperature&Humidity : ≤ 40°C & 70% RH maximum

# RFID ANTENNA

## GSAT3D15

Electrical Characteristics for GSAT3D15 Series [GSAT3D15 系列電子特性規格]

Part Number	Inductance	Q	SRF (KHz)	SRF (KHz)	DCR (Ω)	DCR (Ω)
產品料號	X,Y,Z 軸(mH) 電感值 (L)	X,Y,Z 軸(Typ.) 品質因數	X,Y 軸(Typ.) 共振頻率	Z 軸(Typ.) 共振頻率	X,Y 軸(max) 直流阻抗	Z 軸(max) 直流阻抗
GSAT3D15 – 242J	2.47	20.00	360	360	73	70
GSAT3D15 – 252J	2.58	20.00	400	400	75	75
GSAT3D15 – 342J	3.45	25.00	300	380	86	108
GSAT3D15 – 402J	4.05	25.00	370	340	97	130
GSAT3D15 – 472J	4.77	26.00	340	330	98	130
GSAT3D15 – 492J	4.91	27.00	280	270	98	130
GSAT3D15 – 722J	7.20	19.00	210	210	176	176
GSAT3D15 – 103J	10.00	19.00	200	220	205	276

## GSAT3D15C

Electrical Characteristics for GSAT3D15C Series [GSAT3D15C 系列電子特性規格]

Part Number	Inductance	Inductance	Q	Q	DCR (Ω)	DCR (Ω)
產品料號	X,Y 軸(mH) 電感值 (L)	Z 軸(mH) 電感值 (L)	X,Y 軸(Typ.) 品質因數	Z 軸(Typ.) 品質因數	X,Y 軸(max) 直流阻抗	Z 軸(max) 直流阻抗
GSAT3D15C – 482J	4.8	5.8	5.8	5.8	115	172
GSAT3D15C – 472J	4.7	7.2	23.5	28	114	200
GSAT3D15C – 492J	4.9	5.74	25	30	115	178
GSAT3D15C – 722J	7.2	7.2	20	20	200	260

※Test Freq. : 125KHz / 1V.

※Operating Temp. : -40°C ~ +125°C

※Storage Temperature&Humidity : ≤ 40°C & 70% RH maximum