

SMD Common Mode EMI Line Filters

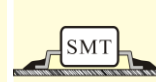
GSEF505085 / GSEF763206 / GSEF100805 / GSEF121006

Features (特長)

- Closed magnetic circuit for lowest EMI (閉合磁性電路防 EMI 干擾對策)
- Common mode for DC power lines (共模 DC 直流電端應用)
- Dual-winding configuration makes 1 unit suffice for one port (雙組繞線在一個磁芯上的特點)

Applications (用途)

- Notebook, LCD TV and others (筆記型電腦, 液晶電視或其他產品)
- DC-DC converter of portable equipment (DC-DC 隨身式手提變流器設備)
- Communication equipment (通訊設備)



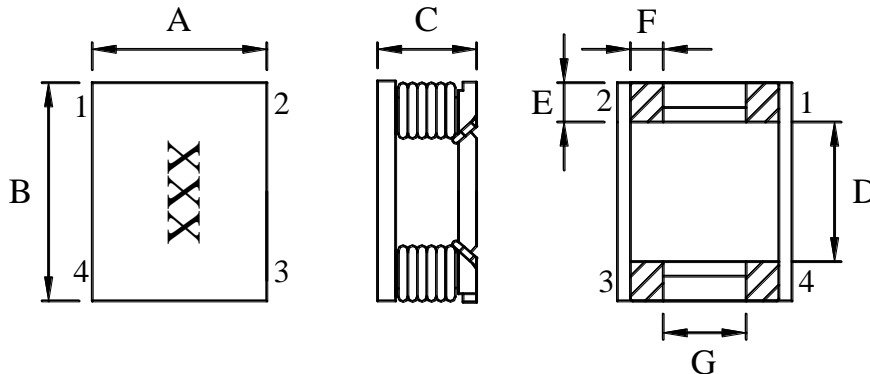
Product Identification (產品識別)

GSEF 505085 - (Ex. GSEF505085-202N / GSEF763206-300Y)

1 2 3 4

1. Form (型式) (GSEF)
2. Core Dimension or Core Part Number (鐵芯尺寸 或 鐵芯編號)
3. Inductance or Turns (電感值 或 圈數)
4. Tolerance (誤差值) (參照表 N 30%, Y min)

Configurations & Dimensions (結構圖及規格尺寸)



Unit In mm

Type (型式)	A ±1.0	B ±1.0	C ±1.0	D	E	F	G
GSEF505085	5.0	8.5	5.0	3.80	2.05	1.85	1.30
GSEF763206	6.0	7.6	3.2	2.00	2.80	1.55	2.20
GSEF100805	8.0	10.0	5.0	4.90	2.55	1.75	3.30
GSEF121006	10.0	12.0	6.0	4.80	3.60	2.35	4.00

♣ Dimensions is the reference value. (尺寸為參考值)

♣ Design as Customer's Requested Specifications. (可依客戶特殊需求設計)