

# SMT Toroidal Coil Inductors

## GS302A / GS502A

### Features (特長)

- Closed magnetic circuit for lowest EMI  
(閉合磁性電路防干擾對策)
- High Current (高電流)
- Compatible with vapor phase and infrared reflow soldering  
(應用於氣相及紅外式回流焊錫)

### Applications (用途)

- Power switching, TV game, Monitor, Car recharger, Output Ripple Current Filter.  
(電源供應器、電視遊樂器、監視器、汽車充電器、訊號濾波應用)



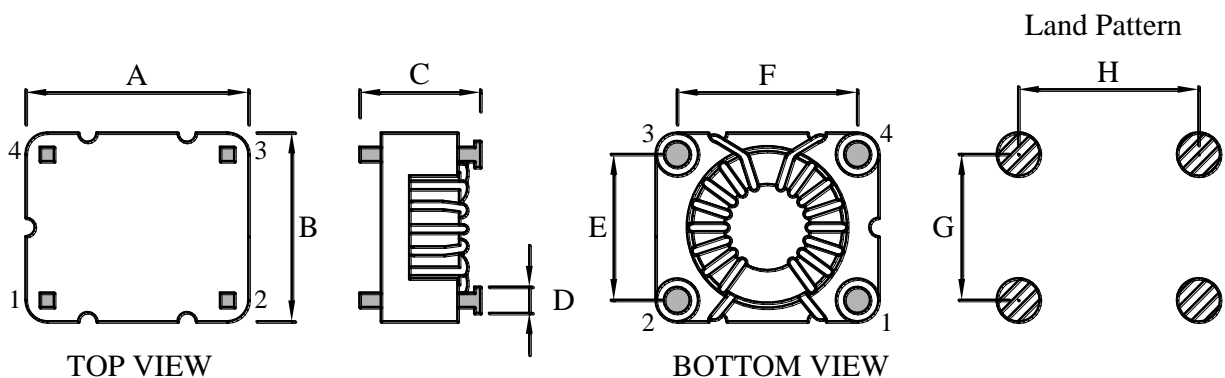
### Product Identification (產品識別)

GS302A -      -      -      (Ex. GS302A-52-100M)

1                  2                  3                  4

1. SMD Toroidal Coil Inductors (SMD 環型線圈)  
(GS302A, GS502A)
2. Core Material (鐵芯材質)
3. Inductance (電感值)
4. Tolerance (誤差值) ( 參照表 K 10%, L 15%, M 20%, N 30%, Y min)

### Configurations & Dimensions (結構圖及規格尺寸)



Unit In mm

Type (型式)	A	B	C	D	E	F	G	H
GS302A	±0.5 10.0	±0.5 8.6	±0.5 6.2	±0.2 1.0	±0.5 6.1	±0.5 7.7	6.1	7.7
GS502A	15.8	13.2	7.7	1.4	10.3	12.7	10.3	12.7

♣ Design as Customer's Requested Specifications. (可依客戶特殊需求設計)