

SMD Wirewound Chip Open-Type Inductors

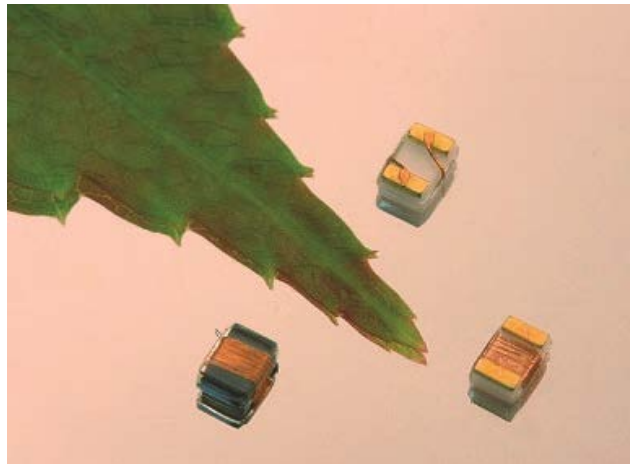
GS0805CG / GS0805FS(2012)

Features (特長)

- High frequency (高頻)
- Highest possible SRFs as well as excellent Q values (高共振頻率及高品質因素)
- The wire is wound directly on the ceramic core at a precision pitch (高精度繞線製品)

Applications (用途)

- Pager, Cordless phone & High Freq. Communication Products (呼叫器、行動電話及高頻通訊類產品)
- GPS (衛星導航系統)



Product Identification (產品識別)

GS0805 ____ - ____ (Ex. GS0805CG-2N2M)

1 2 3 4 5

1. SMD Wirewound Chip Open-Type Inductors (小型繞線開放式晶片電感) (GS0805)

2. Material (材質)

C → Ceramic (陶瓷)

F → Ferrite (鐵粉芯)

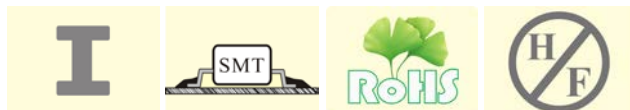
3. Terminal (端子)

G → Super-adhesion Molybdenum/Manganese with Gold overplating (金)

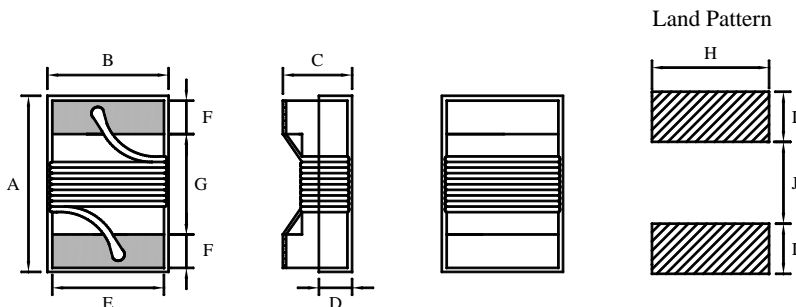
S → Pd/Pt/Ag with wraparound metallizing (銀)

4. Inductance (電感值)

5. Tolerance (誤差值) (參照表 G 2%, J 5%, K 10%, M 20%)



Configurations & Dimensions (結構圖及規格尺寸)



Unit In mm

Item (型式)	A (max)	B (max)	C (max)	D (Ref.)	E	F	G	H	I	J
GS0805CG/FS(2012)	2.29	1.73	1.52	0.51	1.27	0.51	1.02	1.78	1.02	0.76

♣ Design as Customer's Requested Specifications. (可依客戶特殊需求設計)

SMD Wirewound Chip Open-type Inductors

GS0805CG(2012)

Electrical Characteristics for GS0805CG(2012) Series [GS0805CG(2012)系列電子特性規格]

Part Number	Inductance (nH)	Q (min)	Freq.(MHz)		SRF(MHz)	DCR(Ω) (max)	IDC(mA) (max)
產品料號	電感值(L)	品質因數	L	Q	(min)	直流阻抗	定格電流
			測試頻率		共振頻率		
GS0805CG – 2N2M	2.20	15	250	1500	6000	0.080	600
GS0805CG – 3N3M	3.30	50	250	1500	6000	0.080	600
GS0805CG – 6N8M	6.80	50	250	1000	5500	0.110	600
GS0805CG – 8N2M	8.20	50	250	1000	4700	0.120	600
GS0805CG – 12NK	12.00	50	250	500	4000	0.150	600
GS0805CG – 15NK	15.00	50	250	500	3400	0.170	600
GS0805CG – 18NK	18.00	50	250	500	3300	0.200	600
GS0805CG – 22NK	22.00	55	250	500	2600	0.220	500
GS0805CG – 27NK	27.00	55	250	500	2500	0.250	500
GS0805CG – 33NJ	33.00	60	250	500	2050	0.270	500
GS0805CG – 39NJ	39.00	60	250	500	2000	0.290	500
GS0805CG – 47NJ	47.00	60	200	500	1650	0.310	500
GS0805CG – 56NJ	56.00	60	200	500	1550	0.340	500
GS0805CG – 68NJ	68.00	60	200	500	1450	0.380	500
GS0805CG – 82NJ	82.00	65	150	500	1300	0.420	400
GS0805CG – R10J	100.00	65	150	500	1200	0.460	400
GS0805CG – R12J	120.00	50	150	250	1100	0.510	400
GS0805CG – R15J	150.00	50	100	250	920	0.560	400
GS0805CG – R18J	180.00	50	100	250	870	0.640	400
GS0805CG – R22J	220.00	40	100	250	850	0.700	400
GS0805CG – R27J	270.00	40	100	250	800	1.100	280
GS0805CG – R33J	330.00	40	100	250	750	1.200	260
GS0805CG – R39J	390.00	40	100	250	700	1.500	200
GS0805CG – R47J	470.00	40	100	100	650	2.500	170
GS0805CG – R56J	560.00	30	50	50	600	3.500	170
GS0805CG – R68J	680.00	30	50	50	550	4.000	170
GS0805CG – R82J	820.00	25	50	50	450	4.400	170
GS0805CG – 1R0J	1000.00	25	50	50	350	4.700	150

※Operating Temp. : $-40^{\circ}\text{C} \sim +125^{\circ}\text{C}$

※Storage Temperature&Humidity : $\leq 40^{\circ}\text{C}$ & 70% RH maximum

SMD Wirewound Chip Open-Type Inductors GS0805FS(2012)

Electrical Characteristics for GS0805FS(2012) Series [GS0805FS(2012)系列電子特性規格]

Part Number 產品料號	Inductance (μ H) 電感值(L)	Q (min) 品質因數	Freq. (MHz) 測試頻率	SRF(MHz) (min) 共振頻率	DCR(Ω) (max) 直流阻抗	IDC(mA) (max) 定格電流
GS0805FS - R47□	0.47	20	25.2	375	0.95	500
GS0805FS - R56□	0.56	20	25.2	340	1.10	450
GS0805FS - R68□	0.68	20	25.2	288	1.20	400
GS0805FS - R82□	0.82	20	25.2	215	1.50	300
GS0805FS - 1R0□	1.00	20	25.2	200	2.13	180
GS0805FS - 1R2□	1.20	15	7.96	200	2.38	150
GS0805FS - 1R5□	1.50	15	7.96	200	2.90	130
GS0805FS - 1R8□	1.80	15	7.96	120	3.00	120
GS0805FS - 2R2□	2.20	15	7.96	110	3.10	110
GS0805FS - 2R7□	2.70	15	7.96	100	3.50	100
GS0805FS - 3R3□	3.30	15	7.96	70	2.30	210
GS0805FS - 3R9□	3.90	15	7.96	60	2.50	200
GS0805FS - 4R7□	4.70	15	7.96	50	2.80	180
GS0805FS - 5R6□	5.60	15	7.96	45	3.00	160
GS0805FS - 6R8□	6.80	15	7.96	45	3.20	130
GS0805FS - 8R2□	8.20	15	7.96	40	3.50	120
GS0805FS - 100□	10.00	15	2.52	40	5.00	80

※Operating Temp. : $-40^{\circ}\text{C} \sim +125^{\circ}\text{C}$

※Storage Temperature&Humidity : $\leq 40^{\circ}\text{C}$ & 70% RH maximum