

SMD Wirewound Chip Open-Type Inductors

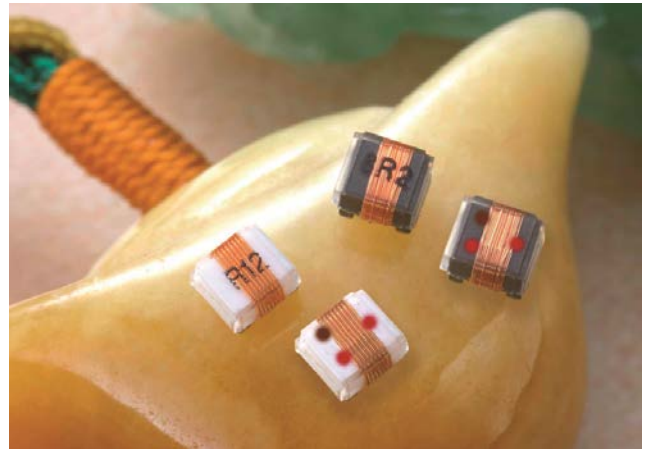
GS1008CG / GS1008FS(2520)

Features (特長)

- High frequency (高頻)
- Highest possible SRFs as well as excellent Q values (高共振頻率及高品質因素)
- The wire is wound directly on the core at a precision pitch (高精度繞線製品)

Applications (用途)

- Pager, Cordless phone & High Freq. Communication Products (呼叫器、行動電話及高頻通訊類產品)
- GPS (衛星導航系統)



Product Identification (產品識別)

GS1008 _____ - _____ (Ex. GS1008CG-10NJ)

1 2 3 4 5

1. SMD Wirewound Chip Open-Type Inductors (小型繞線開放式晶片電感) (GS1008)

2. Material (材質)

C → Ceramic (陶瓷)

F → Ferrite (鐵粉芯)

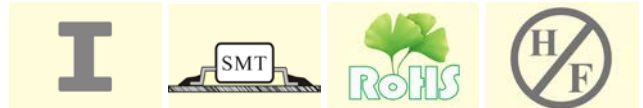
3. Terminal (端子)

G → Super-adhesion Molybdenum/Manganese with Gold overplating (金)

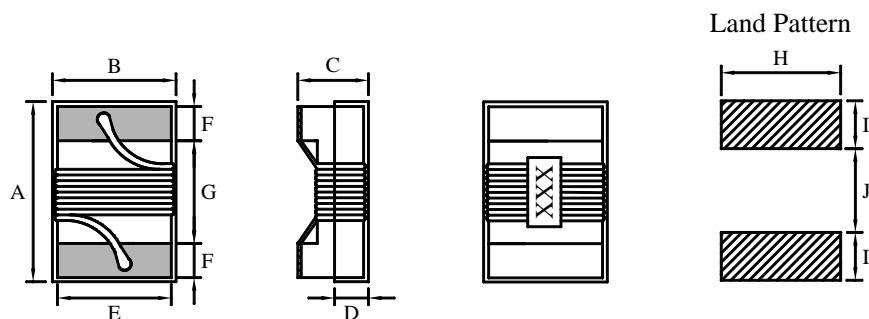
S → Pd/Pt/Ag with wraparound metallizing (銀)

4. Inductance (電感值)

5. Tolerance (誤差值) (參照表 G 2%, J 5%, K 10%, M 20%)



Configurations & Dimensions (結構圖及規格尺寸)



Unit In mm

Type (型式)	A (max)	B (max)	C (max)	D (Ref.)	E	F	G	H	I	J
GS1008CG/FS(2520)	2.92	2.79	2.23	0.51	2.03	0.51	1.52	2.54	1.02	1.27

♣ Design as Customer's Requested Specifications. (可依客戶特殊需求設計)

SMD Wirewound Chip Open-type Inductors

GS1008CG(2520)

Electrical Characteristics for GS1008CG(2520) Series [GS1008CG(2520)系列電子特性規格]

Part Number	Inductance (μ H)	Q (min)	Freq.(MHz)		SRF(MHz)	DCR(Ω)	IDC(mA)
產品料號	電感值(L)	品質因數	L	Q	(min)	(max)	(max)
			測試頻率		共振頻率	直流阻抗	定格電流
GS1008CG – 10NJ	10 nH	50	50	500	4100	0.080	1000
GS1008CG – 12NJ	12 nH	50	50	500	3300	0.090	1000
GS1008CG – 15NJ	15 nH	50	50	500	2500	0.110	1000
GS1008CG – 18NJ	18 nH	50	50	350	2500	0.110	1000
GS1008CG – 22NJ	22 nH	55	50	350	2400	0.120	1000
GS1008CG – 27NJ	27 nH	55	50	350	1600	0.130	1000
GS1008CG – 33NJ	33 nH	60	50	350	1600	0.140	1000
GS1008CG – 39NJ	39 nH	60	50	350	1500	0.150	1000
GS1008CG – 47NJ	47 nH	65	50	350	1500	0.160	1000
GS1008CG – 56NJ	56 nH	65	50	350	1300	0.180	1000
GS1008CG – 68NJ	68 nH	65	50	350	1300	0.200	1000
GS1008CG – 82NJ	82 nH	60	50	350	1000	0.220	1000
GS1008CG – R10J	0.10	60	25	350	1000	0.560	650
GS1008CG – R12J	0.12	60	25	350	950	0.630	650
GS1008CG – R15J	0.15	45	25	100	850	0.700	580
GS1008CG – R18J	0.18	45	25	100	750	0.770	620
GS1008CG – R22J	0.22	45	25	100	700	0.840	500
GS1008CG – R27J	0.27	45	25	100	600	0.910	500
GS1008CG – R33J	0.33	45	25	100	570	1.050	450
GS1008CG – R39J	0.39	45	25	100	500	1.120	470
GS1008CG – R47J	0.47	45	25	100	450	1.190	470
GS1008CG – R56J	0.56	45	25	100	415	1.330	400
GS1008CG – R62J	0.62	45	25	100	375	1.400	300
GS1008CG – R68J	0.68	45	25	100	375	1.470	400
GS1008CG – R75J	0.75	45	25	100	360	1.540	360
GS1008CG – R82J	0.82	45	25	100	350	1.610	400
GS1008CG – R91J	0.91	35	25	50	320	1.680	380
GS1008CG – 1R0J	1.00	35	25	50	290	1.750	370
GS1008CG – 1R2J	1.20	35	7.9	50	250	2.000	310
GS1008CG – 1R5J	1.50	28	7.9	50	200	2.300	330
GS1008CG – 1R8J	1.80	25	7.9	50	150	2.600	300
GS1008CG – 2R2J	2.20	25	7.9	50	130	2.800	280
GS1008CG – 2R7J	2.70	22	7.9	25	100	3.200	290
GS1008CG – 3R3J	3.30	22	7.9	25	80	3.400	290
GS1008CG – 3R9J	3.90	20	7.9	25	70	3.600	260
GS1008CG – 4R7J	4.70	15	7.9	25	60	4.000	260
GS1008CG – 5R6J	5.60	20	7.9	7.9	55	7.000	200
GS1008CG – 6R8J	6.80	20	7.9	7.9	45	8.000	180
GS1008CG – 8R2J	8.20	20	7.9	7.9	35	9.500	150
GS1008CG – 100J	10.00	20	7.9	7.9	25	12.000	100

※Operating Temp. : $-40^{\circ}\text{C} \sim +125^{\circ}\text{C}$

※Storage Temperature&Humidity : $\leq 40^{\circ}\text{C}$ & 70% RH maximum

SMD Wirewound Chip Open-Type Inductors

GS1008FS(2520)

Electrical Characteristics for GS1008FS(2520) Series [GS1008FS(2520)系列電子特性規格]

Part Number 產品料號	Inductance (μ H) 電感值(L)	Q (min) 品質因數	Freq. (MHz) 測試頻率	SRF(MHz) (min) 共振頻率	DCR(Ω) (max) 直流阻抗	IDC(mA) (max) 定格電流
GS1008FS – 1R0J	1.00	25	7.96	130	0.600	245
GS1008FS – 1R2J	1.20	25	7.96	120	0.800	230
GS1008FS – 1R5J	1.50	25	7.96	110	1.000	220
GS1008FS – 1R8J	1.80	25	7.96	100	1.200	210
GS1008FS – 2R2J	2.20	25	7.96	90	1.500	200
GS1008FS – 2R7J	2.70	25	7.96	80	1.700	195
GS1008FS – 3R3J	3.30	25	7.96	70	1.900	185
GS1008FS – 3R9J	3.90	25	7.96	60	2.100	180
GS1008FS – 4R7J	4.70	25	7.96	50	2.300	175
GS1008FS – 5R6J	5.60	25	7.96	40	2.500	170
GS1008FS – 6R8J	6.80	25	7.96	35	2.700	165
GS1008FS – 8R2J	8.20	25	7.96	30	3.100	160
GS1008FS – 100J	10.00	25	2.52	28	3.500	155
GS1008FS – 120J	12.00	25	2.52	26	3.800	150
GS1008FS – 150J	15.00	25	2.52	24	4.400	140
GS1008FS – 180J	18.00	25	2.52	22	4.800	130
GS1008FS – 220J	22.00	25	2.52	18	5.500	125
GS1008FS – 270J	27.00	25	2.52	15	6.300	115
GS1008FS – 330J	33.00	25	2.52	14	7.100	110
GS1008FS – 390J	39.00	25	2.52	13	9.500	90
GS1008FS – 470J	47.00	25	2.52	12	11.100	80
GS1008FS – 560J	56.00	20	2.52	10	12.100	75
GS1008FS – 680J	68.00	20	2.52	9	16.600	70
GS1008FS – 820J	82.00	20	2.52	8	19.000	66
GS1008FS – 101J	100.00	10	0.796	7	21.000	60

※Operating Temp. : $-40^{\circ}\text{C} \sim +125^{\circ}\text{C}$

※Storage Temperature&Humidity : $\leq 40^{\circ}\text{C}$ & 70% RH maximum