

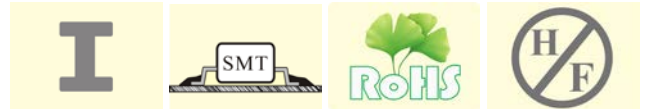
# RFID ANTENNA GSAT1514ZB

## Features (特長)

- Low Frequency (LF) Transponder receiver.  
(低頻率轉發接收)
- Compact and thinner type Antenna.  
(輕便薄小天線線圈)

## Applications (用途)

- Keyless Entry Systems, Smart Entry Systems and Passive Entry Systems  
(無鍵輸入系統, 智能輸入系統及被動輸入系統)



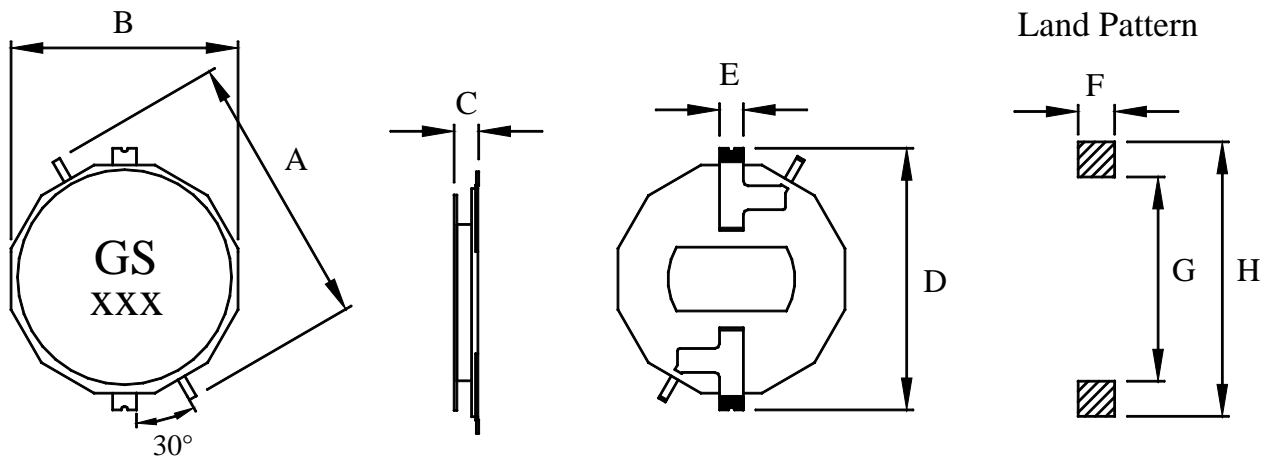
## Product Identification (產品識別)

GSAT1514ZB - \_\_\_\_ \_\_\_\_ (Ex. GSAT1514ZB-382J)

1                      2                      3

1. RFID Transponder Coils (無線辨別感應器線圈) (GSAT1514ZB)
2. Inductance (電感值)
3. Tolerance (誤差值) ( 參照表 J 5%, K 10%, M 20% )

## Configurations & Dimensions (結構圖及規格尺寸)



Unit In mm

Type (型式)	A	B	C (max)	D	E (Ref.)	F	G	H
GSAT1514ZB	±0.2	±0.1	1.6	±0.15	1.5	2.3	12.8	17.2

✦ Design as Customer's Requested Specifications. (可依客戶特殊需求設計)