

SMT Unshielded Power Inductors

GSD4011 / GSD4013

Features (特長)

- Open Magnetic circuit construction (開磁路構造設計)
- Low Profile (薄型結構)

Applications (用途)

- LCD Driver (LCD 驅動器)
- Cellular Phone (手機)
- Small DC/DC converter (小型直流轉換器)

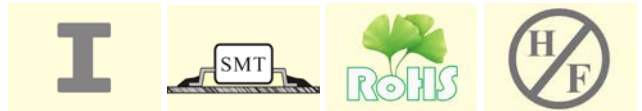


Product Identification (產品識別)

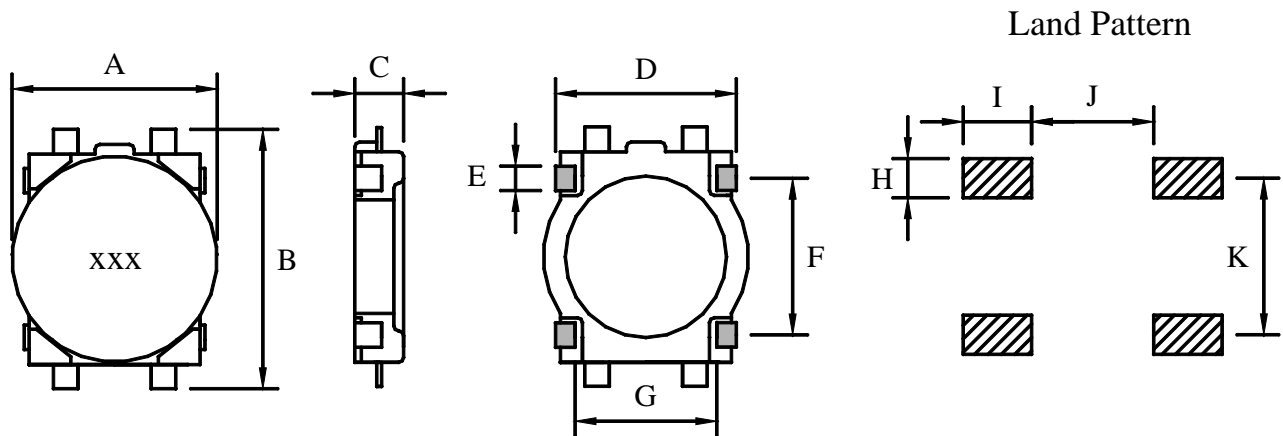
GSD4011 - _____ (Ex. GSD4011-100M)

1 2 3

1. SMT Unshielded Power Inductors (開放式功率電感) (GSD4011/GSD4013)
2. Inductance (電感值)
3. Tolerance (誤差值) (參照表 M 20%, N 30%)



Configurations & Dimensions (結構圖及規格尺寸)



Unit In mm

Type (型式)	A (max)	B (max)	C (max)	D	E	F	G	H	I	J	K
GSD4011	4.4	5.8	1.20	3.7	0.5	3.2	2.9	0.8	1.4	2.5	3.2
GSD4013	4.4	5.8	1.45	3.7	0.5	3.2	2.9	0.8	1.4	2.5	3.2

♣ Design as Customer's Requested Specifications. (可依客戶特殊需求設計)

SMT Unshielded Power Inductors

GSD4011

Electrical Characteristics for GSD4011 Series [GSD4011 系列電子特性規格]

Part Number 產品料號	Inductance (μ H) 電感值 (L)	Test Freq. (KHz) 測試頻率	DCR (Ω) (max) 直流阻抗	IDC (A) (max) 定格電流
GSD4011 – 2R2M	2.20	100	0.116	0.95
GSD4011 – 3R3M	3.30	100	0.174	0.77
GSD4011 – 4R7M	4.70	100	0.216	0.75
GSD4011 – 6R8M	6.80	100	0.296	0.62
GSD4011 – 100M	10.00	100	0.457	0.50
GSD4011 – 150M	15.00	100	0.676	0.40
GSD4011 – 220M	22.00	100	1.066	0.30
GSD4011 – 330M	33.00	100	1.647	0.24
GSD4011 – 470M	47.00	100	2.843	0.18

※Test Freq. : 100KHz / 0.1V.

※Operating Temp. : $-40^{\circ}\text{C} \sim +125^{\circ}\text{C}$

※Inductance drop=10% typ. at IDC.

※Storage Temperature&Humidity : $\leq 40^{\circ}\text{C}$ & 70% RH maximum

GSD4013

Electrical Characteristics for GSD4013 Series [GSD4013 系列電子特性規格]

Part Number 產品料號	Inductance (μ H) 電感值 (L)	Test Freq. (KHz) 測試頻率	DCR (Ω) (max) 直流阻抗	IDC (A) (max) 定格電流
GSD4013 – 3R3M	3.30	100	0.160	0.85
GSD4013 – 4R7M	4.70	100	0.194	0.80
GSD4013 – 6R8M	6.80	100	0.276	0.65
GSD4013 – 100M	10.00	100	0.335	0.57
GSD4013 – 150M	15.00	100	0.508	0.45
GSD4013 – 220M	22.00	100	0.766	0.37
GSD4013 – 330M	33.00	100	1.162	0.28
GSD4013 – 470M	47.00	100	1.658	0.22
GSD4013 – 680M	68.00	100	2.534	0.18
GSD4013 – 101M	100.00	100	3.304	0.17

※Test Freq. : 100KHz / 0.1V.

※Operating Temp. : $-40^{\circ}\text{C} \sim +125^{\circ}\text{C}$

※Inductance drop=10% typ. at IDC.

※Storage Temperature&Humidity : $\leq 40^{\circ}\text{C}$ & 70% RH maximum