

SMT Shielded Power Inductors

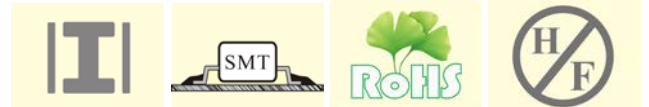
GSRH62BS / GSRH64BS

Features (特長)

- Magnetically shielded construction (閉磁路構造設計)
- Compact and thin (輕便薄小)
- Large Current and Low DCR (大電流低直流阻抗)

Applications (用途)

- VTR, OA equipment, LCD television set, Notebook, portable communication equipments, DC/DC converters, etc.. (錄放影機、OA 儀器、液晶電視、筆記型電腦、小型通信機器、直流轉換器等)



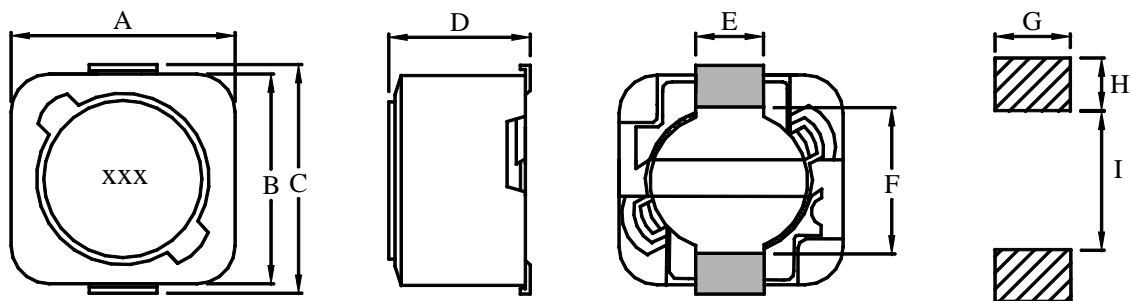
Product Identification (產品識別)

GSRH62B S - _____ (Ex. GSRH62BS-2R9N)

1 2 3 4

1. SMT Shielded Power Inductors (閉磁式功率電感)
(GSRH62BS, GSRH64BS)
2. Terminal (端子)
S → Tin (錫)
3. Inductance (電感值)
4. Tolerance (誤差值) (參照表 M 20%, N 30%)

Configurations & Dimensions (結構圖及規格尺寸)



Unit In mm

Type (型式)	A	B	C	D	E	F	G	H	I
GSRH62BS	±0.3	±0.3	±0.3	(max)	±0.2				
GSRH64BS	6.2	5.9	6.6	3.0	1.5	4.6	1.9	1.4	4.6
GSRH64BS	6.2	5.9	6.6	5.0	1.5	4.6	1.9	1.4	4.6

♣ Design as Customer's Requested Specifications. (可依客戶特殊需求設計)

SMT Shielded Power Inductors

GSRH62BS

Electrical Characteristics for GSRH62BS Series [GSRH62BS 系列電子特性規格]

Part Number 產品料號	Inductance (μ H) 電感值 (L)	Test Freq. (Hz) 測試頻率	DCR (Ω) (max) 直流阻抗	IDC (A) (max) 定格電流
GSRH62BS – 2R9N	2.90	7.96M	0.068	1.94
GSRH62BS – 3R3N	3.30	7.96M	0.075	1.80
GSRH62BS – 4R0N	4.00	7.96M	0.080	1.63
GSRH62BS – 4R7N	4.70	7.96M	0.090	1.55
GSRH62BS – 5R5N	5.50	7.96M	0.096	1.40
GSRH62BS – 100M	10.00	1K	0.150	1.10
GSRH62BS – 120M	12.00	1K	0.200	1.00
GSRH62BS – 150M	15.00	1K	0.230	0.90
GSRH62BS – 180M	18.00	1K	0.270	0.80
GSRH62BS – 220M	22.00	1K	0.340	0.74
GSRH62BS – 270M	27.00	1K	0.380	0.66
GSRH62BS – 330M	33.00	1K	0.450	0.59
GSRH62BS – 390M	39.00	1K	0.490	0.54
GSRH62BS – 470M	47.00	1K	0.690	0.50
GSRH62BS – 560M	56.00	1K	0.780	0.46
GSRH62BS – 680M	68.00	1K	1.070	0.42
GSRH62BS – 820M	82.00	1K	1.210	0.38
GSRH62BS – 101M	100.00	1K	1.390	0.34
GSRH62BS – 121M	120.00	1K	1.900	0.31
GSRH62BS – 151M	150.00	1K	2.180	0.28
GSRH62BS – 181M	180.00	1K	2.770	0.26
GSRH62BS – 221M	220.00	1K	3.120	0.23
GSRH62BS – 271M	270.00	1K	4.380	0.22
GSRH62BS – 331M	330.00	1K	4.940	0.19

※2R9~5R5 Test Freq. : 7.96MHz ; 100~331 Test Freq. : 1KHz / 0.25V.

※Operating Temp. : $-40^{\circ}\text{C} \sim +125^{\circ}\text{C}$

※Inductance drop=25% typ. at IDC.

※Storage Temperature&Humidity : $\leq 40^{\circ}\text{C}$ & 70% RH maximum

SMT Shielded Power Inductors

GSRH64BS

Electrical Characteristics for GSRH64BS Series [GSRH64BS 系列電子特性規格]

Part Number 產品料號	Inductance (μ H) 電感值 (L)	Test Freq. (KHz) 測試頻率	DCR (Ω) (max) 直流阻抗	IDC (A) (max) 定格電流
GSRH64BS – 2R9N	2.90	1	0.047	1.80
GSRH64BS – 3R3N	3.30	1	0.050	1.75
GSRH64BS – 4R0N	4.00	1	0.060	1.65
GSRH64BS – 4R7N	4.70	1	0.065	1.55
GSRH64BS – 5R5N	5.50	1	0.070	1.45
GSRH64BS – 100M	10.00	1	0.120	1.35
GSRH64BS – 120M	12.00	1	0.130	1.22
GSRH64BS – 150M	15.00	1	0.180	1.11
GSRH64BS – 180M	18.00	1	0.240	1.02
GSRH64BS – 220M	22.00	1	0.270	0.91
GSRH64BS – 270M	27.00	1	0.300	0.82
GSRH64BS – 330M	33.00	1	0.330	0.74
GSRH64BS – 390M	39.00	1	0.370	0.69
GSRH64BS – 470M	47.00	1	0.520	0.62
GSRH64BS – 560M	56.00	1	0.560	0.58
GSRH64BS – 680M	68.00	1	0.630	0.51
GSRH64BS – 820M	82.00	1	0.710	0.46
GSRH64BS – 101M	100.00	1	1.030	0.42
GSRH64BS – 121M	120.00	1	1.150	0.38
GSRH64BS – 151M	150.00	1	1.680	0.35
GSRH64BS – 181M	180.00	1	1.870	0.32
GSRH64BS – 221M	220.00	1	2.080	0.29
GSRH64BS – 271M	270.00	1	2.370	0.26
GSRH64BS – 331M	330.00	1	2.670	0.23
GSRH64BS – 391M	390.00	1	2.940	0.22
GSRH64BS – 471M	470.00	1	3.930	0.20
GSRH64BS – 561M	560.00	1	5.430	0.18
GSRH64BS – 681M	680.00	1	7.320	0.17
GSRH64BS – 821M	820.00	1	8.240	0.15
GSRH64BS – 102M	1000.00	1	9.260	0.14

※Test Freq. : 1KHz / 0.25V.

※Operating Temp. : $-40^{\circ}\text{C} \sim +125^{\circ}\text{C}$

※Inductance drop=25% typ. at IDC.

※Storage Temperature&Humidity : $\leq 40^{\circ}\text{C}$ & 70% RH maximum