

# SMT Shielded Power Inductors

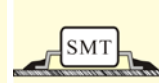
## GS3316DC

### Features (特長)

- Magnetically shielded construction (閉磁路構造設計)
- Compact and thin (輕便薄小)

### Applications (用途)

- Notebook, DC/DC converter, Communication products (筆記型電腦、直流轉換器、通訊類產品)



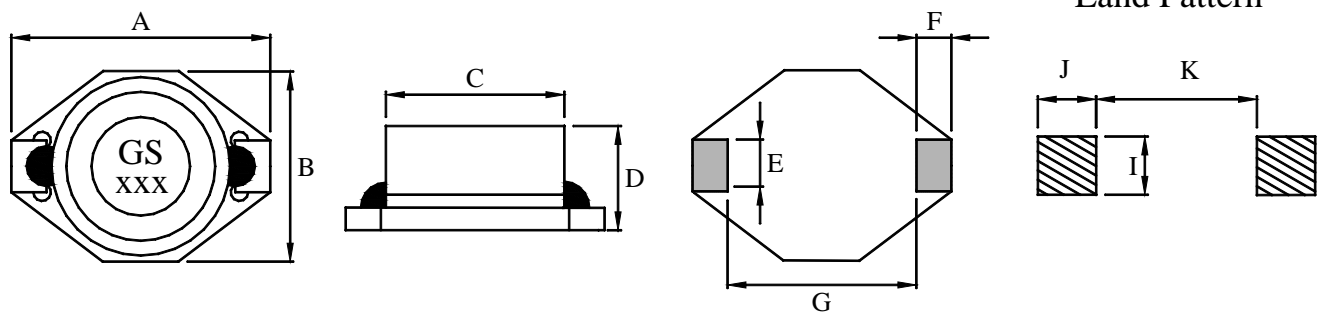
### Product Identification (產品識別)

GS3316DC - \_\_\_\_\_ (Ex. GS3316DC-1R0M)

1                      2                      3

1. SMT Shielded Power Inductors (閉磁式功率電感) (GS3316DC)
2. Inductance (電感值)
3. Tolerance (誤差值) ( 參照表 M 20%, N 30% )

### Configurations & Dimensions (結構圖及規格尺寸)



Unit In mm

Type (型式)	A (max)	B (max)	C ±0.3	D (max)	E ±0.3	F ±0.3	G ±0.3	I	J	K
GS3316DC	12.95	9.40	8.38	5.08	2.54	2.54	7.62	2.79	3.04	7.37

♣Design as Customer's Requested Specifications. (可依客戶特殊需求設計)

# SMT Shielded Power Inductors

## GS3316DC

Electrical Characteristics for GS3316DC Series [GS3316DC 系列電子特性規格]

Part Number 產品料號	Inductance ( $\mu$ H) 電感值 (L)	Test Freq. (KHz) 測試頻率	DCR ( $\Omega$ ) (max) 直流阻抗	IDC (A) (max) 定格電流
GS3316DC – 1R0M	1.00	100	0.021	5.60
GS3316DC – 1R5M	1.50	100	0.022	5.20
GS3316DC – 2R2M	2.20	100	0.032	5.00
GS3316DC – 3R3M	3.30	100	0.039	3.90
GS3316DC – 4R7M	4.70	100	0.054	3.20
GS3316DC – 6R8M	6.80	100	0.075	2.80
GS3316DC – 100M	10.00	100	0.101	2.40
GS3316DC – 150M	15.00	100	0.150	2.00
GS3316DC – 220M	22.00	100	0.207	1.60
GS3316DC – 330M	33.00	100	0.334	1.40
GS3316DC – 470M	47.00	100	0.472	1.00

※Test Freq. : 100KHz / 0.1V.

※Operating Temp. :  $-40^{\circ}\text{C} \sim +125^{\circ}\text{C}$

※Inductance drop = 10% typ. at IDC.

※Storage Temperature&Humidity :  $\leq 40^{\circ}\text{C}$  & 70% RH maximum