

Low Power Inductors

GSLP / GSVP

Features (特長)

- To be high saturation for surface mounting.
(飽和特性佳)
- Large Current and Low DCR.
(大電流低直流阻抗)

Applications (用途)

- TV BOX (電視盒)
- Power supply applications (電源供應器)
- Output Ripple Current Filter (訊號濾波應用)

Product Identification (產品識別)

GSLP - 60E - _____ (Ex. GSLP-60E-151M)

1 2 3 4

1. Low Power Inductors (低功率電感) (GSLP/GSVP)
2. Core Material (鐵芯材質)
3. Inductance (電感值)
4. Tolerance (誤差值) (M 20%, N 30%)

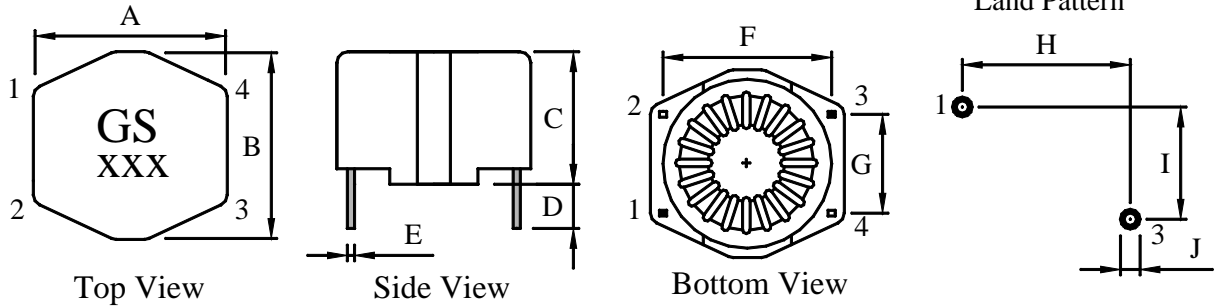


Low Power Inductors

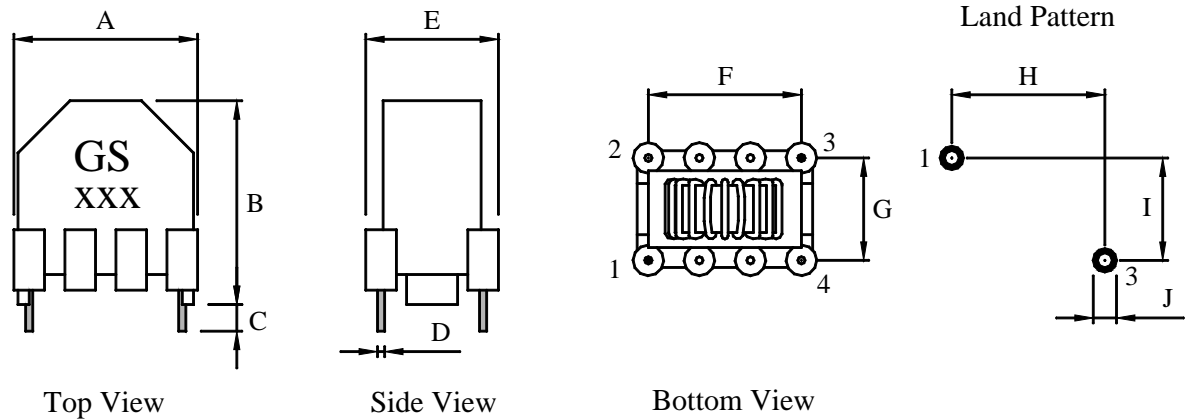
GSLP / GSVP

Configurations & Dimensions (結構圖及規格尺寸)

GSLP



GSVP



Unit In mm

Type (型式)	A (max)	B (max)	C	D	E	F	G	H	I	J
GSLP	18.03	18.03	13.0(max)	4.0±1.0	0.64±0.2	15.3±0.5	10.2±0.5	15.3	10.2	1.78
GSVP	19.00	21.00	4.0±1.0	0.7±0.3	14.0(max)	15.0±0.5	10.0±0.5	15.0	10.0	1.78

♣Design as Customer's Requested Specifications. (可依客戶特殊需求設計)

Electrical Characteristics for GSLP/GSVP Series [GSLP/GSVP 系列電子特性規格]

Part Number 產品料號	Inductance (μ H) 電感值 (L)	Test Freq. (KHz) 測試頻率	L@IDC (μ H)(min) 加電流之電感值	DCR (Ω) (max) 直流阻抗	IDC (A) (max) 定格電流
GS□P-60E-151M	150	100	125	0.210	1.70
GS□P-60E-221M	220	100	180	0.250	1.50
GS□P-60E-331M	330	100	280	0.480	1.00
GS□P-60E-471M	470	100	400	0.660	0.90
GS□P-60E-681M	680	100	590	0.930	0.85
GS□P-60E-821M	820	100	700	1.300	0.75
GS□P-60E-102M	1000	100	930	1.600	0.50

※Test Freq. : 100KHz / 0.1V.

※Operating Temp. : -40°C ~ +125°C

※Storage Temperature&Humidity : \leq 40°C & 70% RH maximum